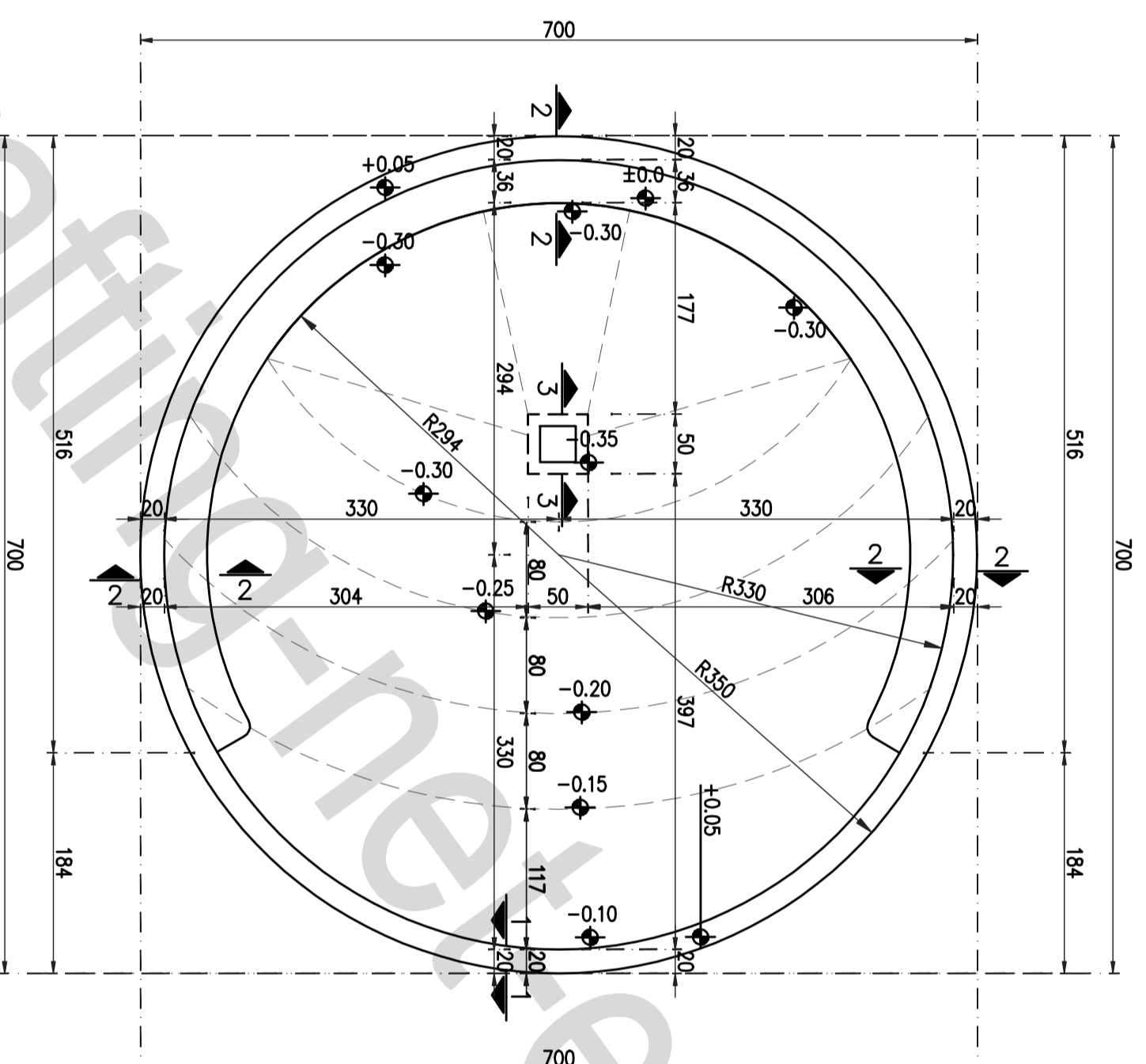
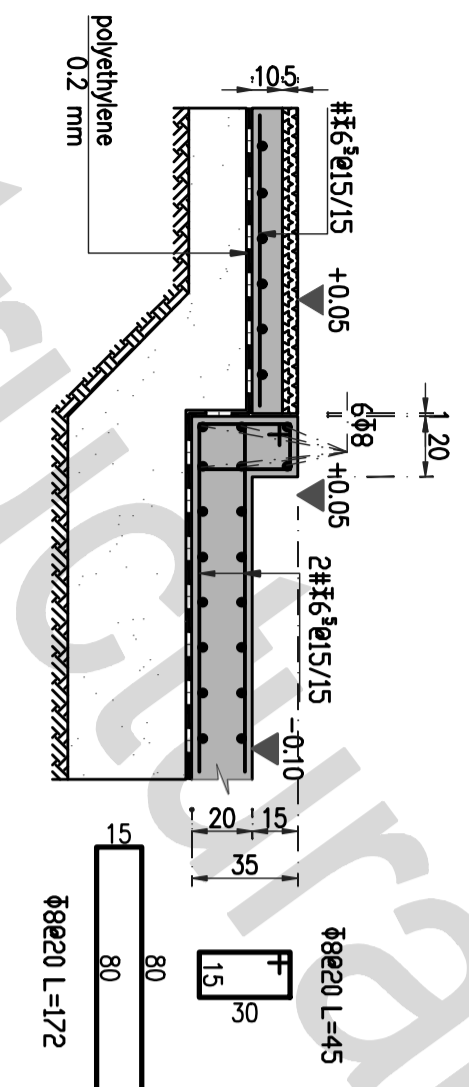


PADDLING POOL



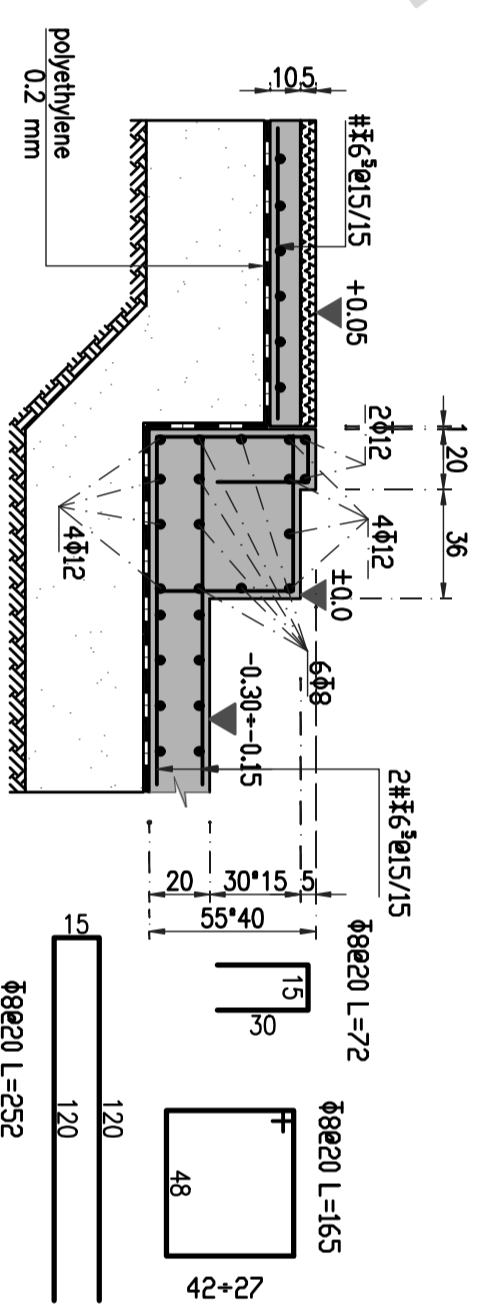
SECTION 1-1

1:25



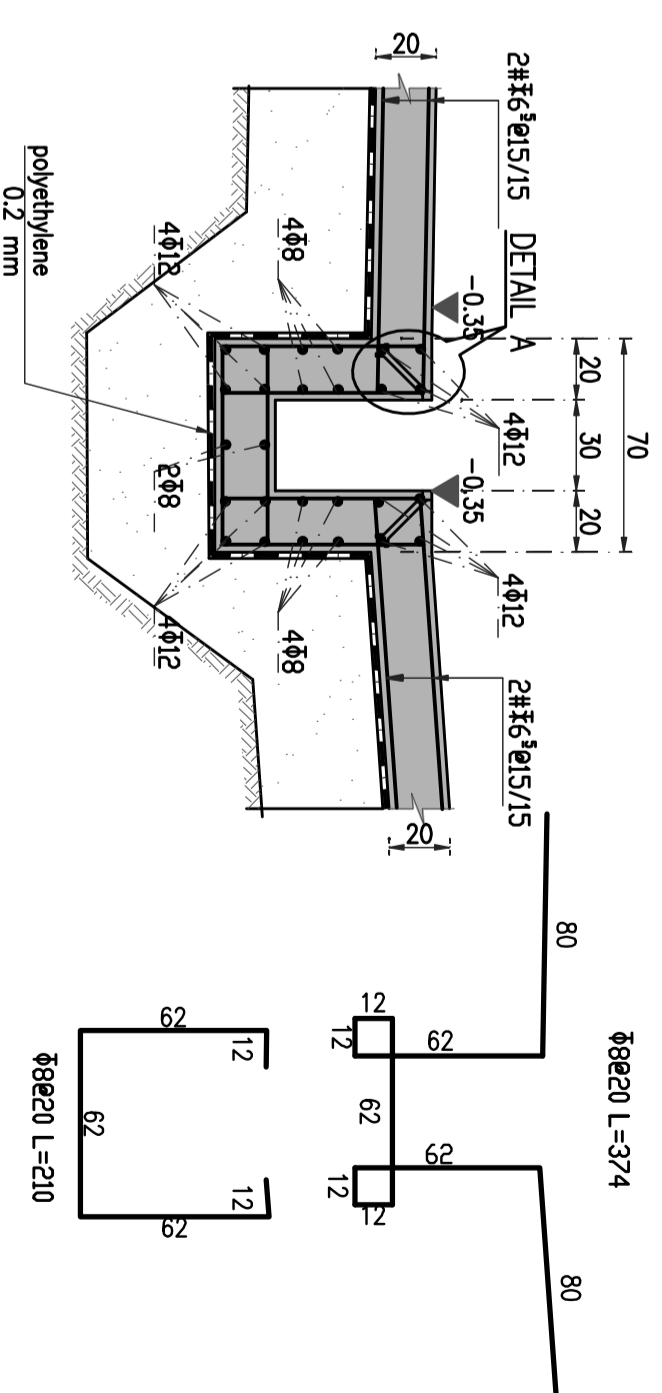
SECTION 2-2

1:25



SECTION 3-3

1:25



DETAIL A

1:5

