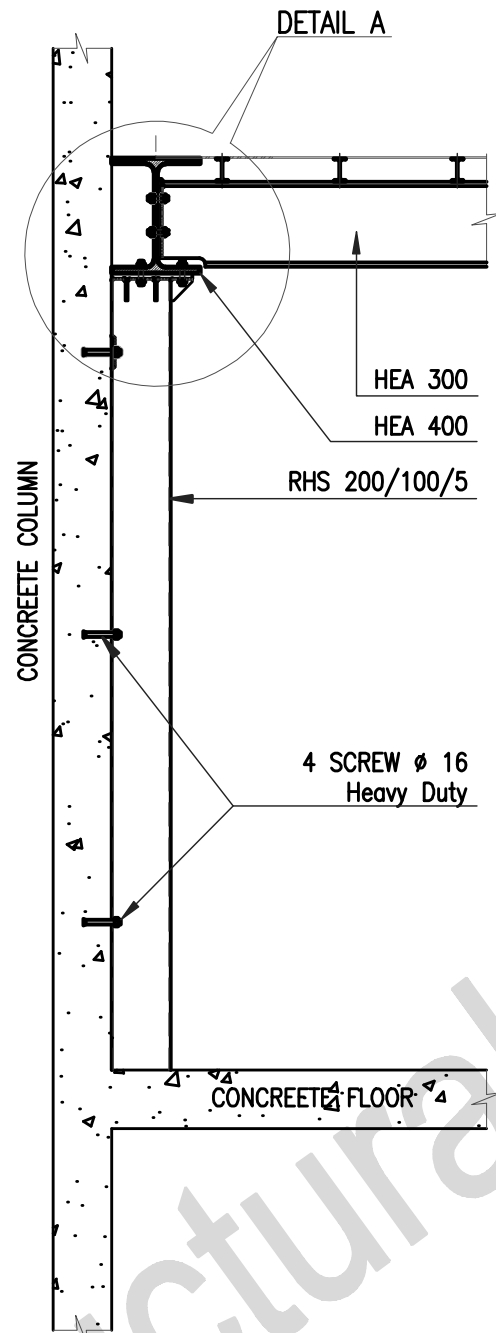


# VIEW ON STEEL COLUMN

1:25



# DETAIL A

1:5

